

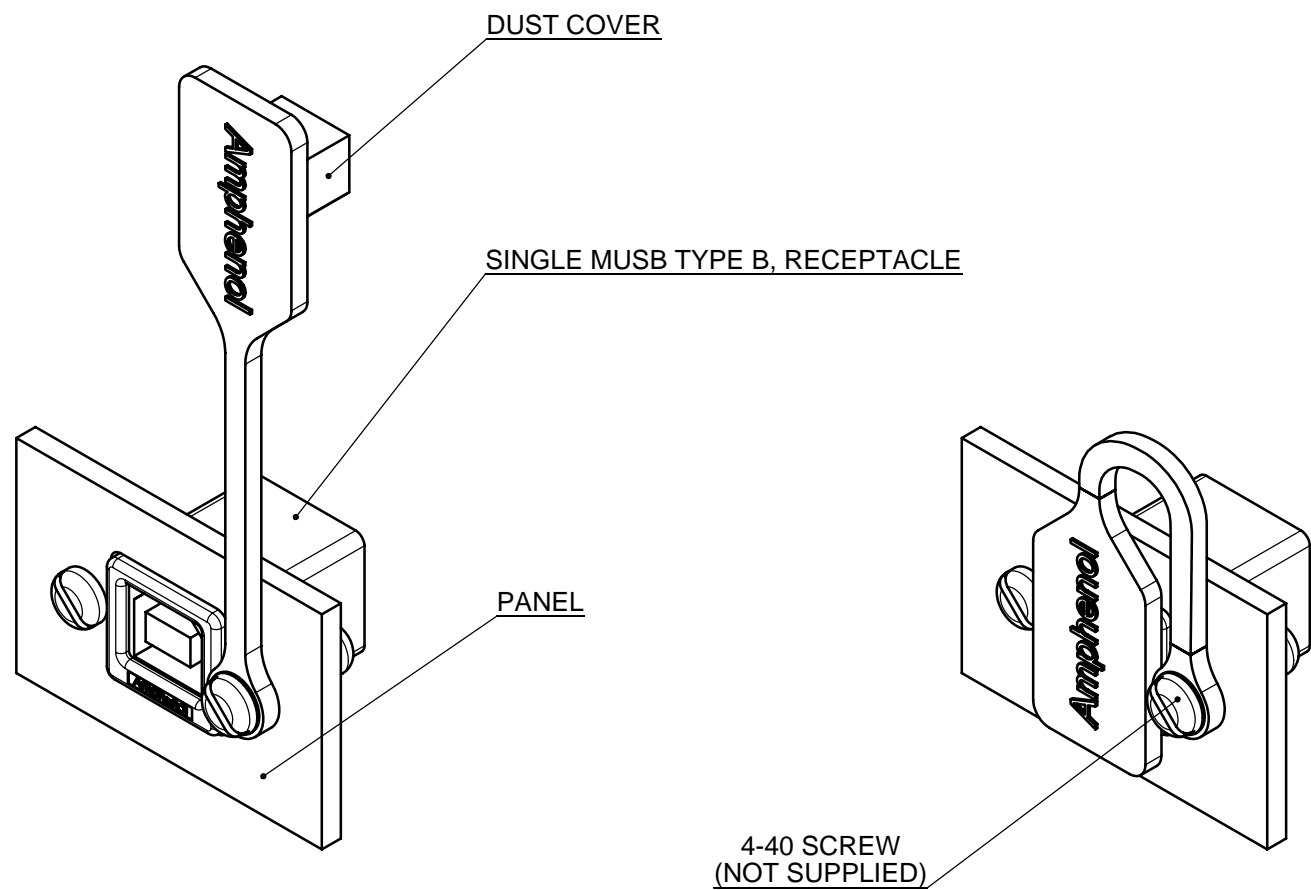
NOTES:

- MATERIAL:
 - DUST COVER - SILICONE RUBBER, COLOR - GREY.
 - BUSHING - BRASS, NICKEL PLATED.
- OPERATING TEMPERATURE: -40°C TO +105°C.
- PART IS ROHS COMPLIANT PER EU DIRECTIVE 2002/95/EC AND AMENDMENTS.
- PART NUMBER FOR ORDER: MUSB-2D11-004-BP.



UNLESS OTHERWISE SPECIFIED DIMENSIONS ARE IN MILLIMETER TOLERANCES ARE:		APPROVALS	DATE	Amphenol Canada Corp.	
		DRAWN S.SEMENOV	MAY04/06		
DECIMALS .XX ±.10 .X ±.25	ANGLES ± 1°	DESIGNED S.SEMENOV	MAY04/06	TITLE DUST COVER FOR MUSB TYPE B CONNECTOR	
MATERIAL AND FINISH		CHECKED			
REF.		QA APP'D		SIZE C	DWG. NO. P-MUSB-2D11-004
CODE IDENT. NO.		IE APP'D		SCALE 1:0.333333	PROJECT PROJECT
		DWG APP'D K.BOUTROS	MAY04/06	SHEET 1 OF 2	

REV - DESCRIPT - DATE - APPRVD



SINGLE MUSB TYPE B WITH DUST COVER



UNLESS OTHERWISE SPECIFIED DIMENSIONS ARE IN MILLIMETER TOLERANCES ARE:		APPROVALS	DATE	Amphenol Canada Corp.	
DECIMALS	ANGLES	DRAWN	MAY04/06	TITLE DUST COVER FOR MUSB TYPE B CONNECTOR	
.XX ± .10	± 1°	DESIGNED	MAY04/06		
.X ± .25		CHECKED		SIZE	DWG. NO.
MATERIAL AND FINISH		QA APP'D		C	P-MUSB-2D11-004
REF.		IE APP'D		SCALE	PROJECT
CODE IDENT. NO.		DWG APP'D	MAY04/06	1:0.333333	PROJECT
		K.BOUTROS			SHEET
					2 OF 2

DO NOT SCALE DRAWING
 THIS DOCUMENT CONTAINS PROPRIETARY INFORMATION AND SUCH INFORMATION MAY NOT BE DISCLOSED TO OTHERS FOR ANY PURPOSE
 OR USED FOR MANUFACTURING PURPOSES WITHOUT PERMISSION FROM AMPHENOL CANADA CORP.